

CONTROLS ZONE STATION II

AdvantageAir

TYPICAL DAMPER ACTUATOR



TYPICAL CONTROL PANEL



TYPICAL CONTROL BOX



TYPICAL CABLE



FEATURES

- Provides occupant with independent zoning.
- Up to 6 zones can be installed on one system.
- Simple to use touch pad control panel.
- Up to 2 control panels can be connected for two storey application or large home.
- Lights on control panel indicate which zones are switched on.
- Printed labels are provided for easy customization of zone labeling.
- Can be set to automatically maintain the minimum number of open zones which can eliminate the need for constant zone.
- Uses clip in 24V damper actuators.
- All damper motors are pre-installed and tested on Advantage Air Exact Air fittings.
- Can be easily retrofitted to an existing system.
- Can be configured to run Day/Night mode using only 1 motor.

PACKING LIST

When ordering, Zone Station II kit contains the following:

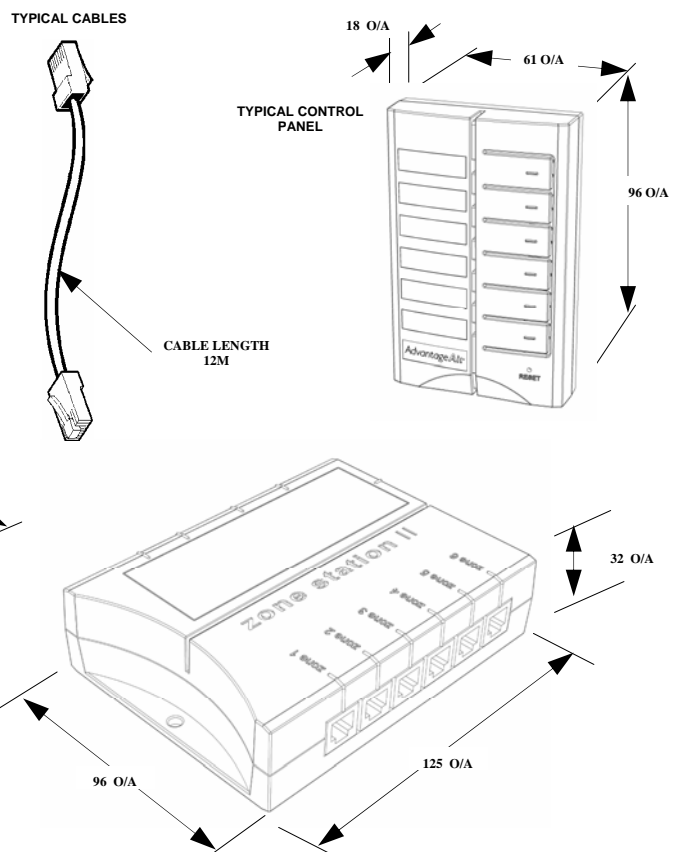
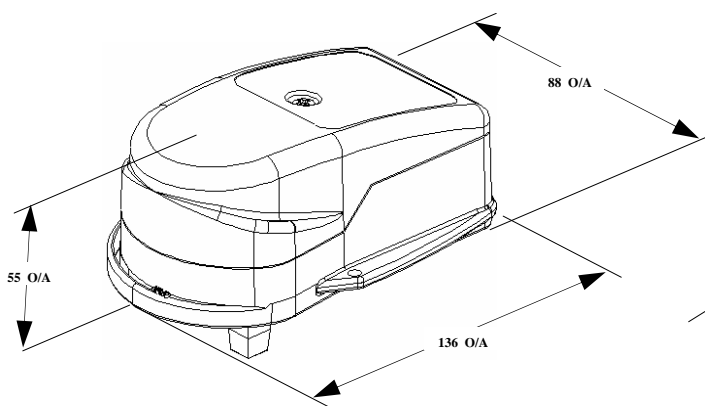
- 1 X ZS2 CONTROL BOX
- 1 X ZS2 CONTROL PANEL
- 1 X 12 METRE RED CABLE
- 1 X POWER SUPPLY (LOW)
- n X 6 METRE BEIGE CABLE.
- n X 24V GREY MOTOR (n DENOTES NUMBER OF ZONES)

APPLICATIONS

- Suitable for all ducted, reverse cycle, heating and evaporative air conditioning systems which are designed with more zones than the A/C unit capacity allows.

OPTIONS

- Additional control panel and red cable need to be ordered separately.
- Can be set on-site to facilitate nil, one or two constant zones.
- Nominated constants can easily be changed



CONTROLS

ZONE STATION II

INSTALLATION INSTRUCTIONS

1. Ensure A/C system is running correctly and switched off.
2. Mount the Control Panel(s) at the desired locations.
3. Connect the system as per **DIAGRAM 1**. Do not power up the system at this stage.
4. Connect the zone motors using the Beige cables provided, starting from Zone 1. If *Programmed Constant Zones* feature is used, ensure that the first constant zone motor is connected to Zone 1 and the second constant zone is connected to Zone 2 (if applicable).
5. Connect the Control Panel into the *Primary Wall Panel Port* using the red cable provided. Connect the second Control Panel into the *Secondary Wall Panel port* (if applicable).
6. Set the number of active zones dipswitch in accordance with the number of zones installed. I.e. if 4 zones system is installed, **ACTIVATE ON (DOWN)** dipswitch #4 ONLY. Dipswitches 1,2,3,5 and 6 need to be in the OFF (UP) position.
7. If necessary, set the *Number of Programmed Constant Zones*.
 - 0—No Programmed Constant
 - 1—The system will ensure there is at least 1 zone opened at anytime. (Will utilise zone no. 1.)
 - 2— The system will ensure there are at least 2 zones opened at anytime. (Will utilise zone no.1 and 2.)
8. Power up the system.
9. Checklist (If 4 zones system is installed):
 - a The first 4 lights on the control panel(s) will illuminate.
 - b All 4 zone motors will drive to the default fully open position.
 - c Green System OK LED inside the Control Box will flash approximately every second.
 - d Switch the zones on/off to ensure the motors operate correctly. Label the zones with the stickers provided.
- e If Number of Programmed Constant is:
 - 1 constant—switch all zones off, ensure Zone 1 is automatically activated after 3 seconds.
 - 2 constants—switch all zones off, ensure Zone 1 and 2 are automatically activated after 3 seconds.
- f If necessary, press the RESET button to re-initialise the system.
- 10 Label the zones on the control panel using the labels provided.
- 11 Optional DAY/NIGHT Setting:
 - A On the Control Box, set the Number of Active Zones to 1 (DOWN). Ensure all other switches are OFF (UP).
 - B Connect motor onto Zone 1.
 - C Press Reset on the Control Panel.
 - D On the Control Panel, label Zone 1 and 2 with Day and Night accordingly.

No liability

Make sure you read and understand all the installation instructions before you install this Zone Station 2 system. Advantage Air (Aust) Pty Ltd does not accept any responsibility for any loss or damage that may be caused either directly or indirectly by the installation of this Zone Station 2 system.

CONTROLS ZONE STATION II INSTALLATION INSTRUCTIONS



ZONE STATION II

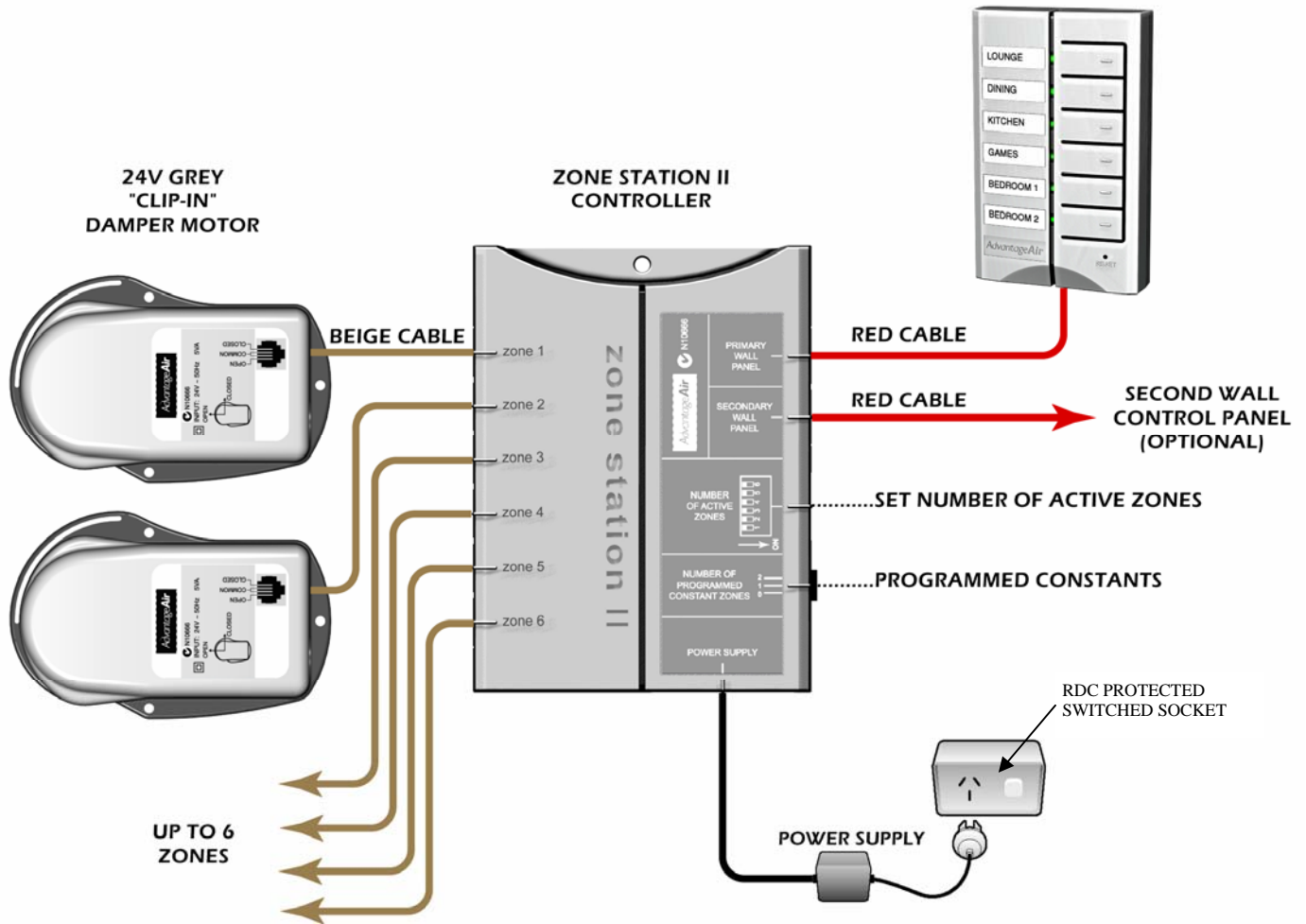
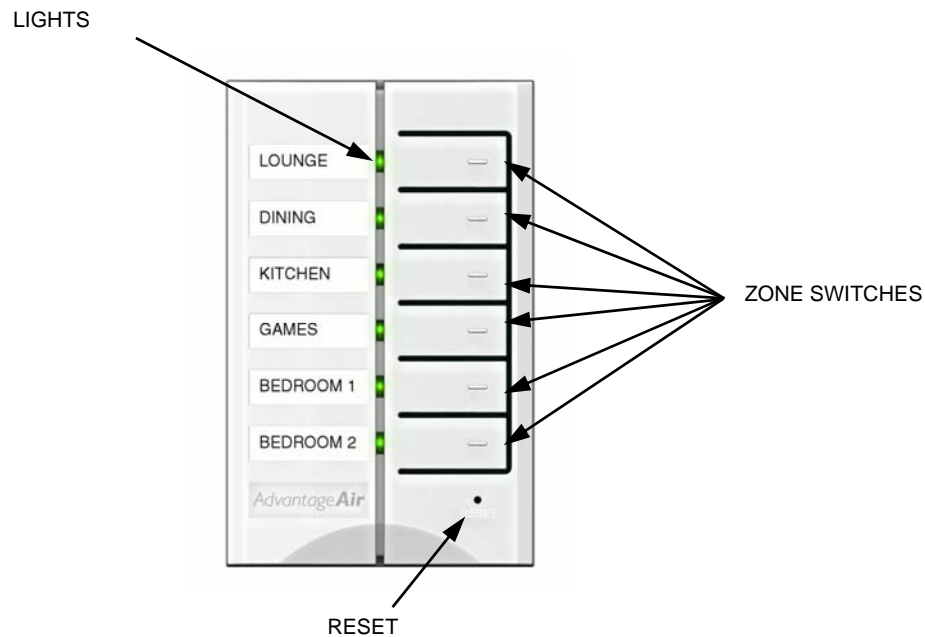


DIAGRAM 1—ZONE STATION 2 CONNECTION SCHEMATICS

No liability
 Make sure you read and understand all the installation instructions before you install this Zone Station 2 system. Advantage Air (Aust) Pty Ltd does not accept any responsibility for any loss or damage that may be caused either directly or indirectly by the installation of this Zone Station 2 system.

TYPICAL 6 ZONES CONTROL PANEL



GETTING STARTED

1. On the *CONTROL PANEL*, select the zones which require air conditioning by pressing the appropriate buttons. Zones which are ON are indicated by illuminated LIGHT(S).
2. Switch OFF zones which do not require air conditioning.
3. Not all zone switches are available for use. If 4 zones system is installed, only the first 4 switches will be activated by the system

OPERATION

- Depending on the setup of the system, a minimum number of ON zones may need to be maintained for safe operation of the A/C system.
- If the minimum number of ON zone(s) are not maintained, the system will automatically override the appropriate zone(s).
- If the system does not respond to a command due to a power surge, reinitialise the system by pressing the RESET switch.